

PROJECT:

NOTES:

DATE:

PART #:

REP:

RedCap® Emergency Battery Backup LED Tube

T8 LINEAR FLUORESCENT RETROFIT LAMP WITH EMERGENCY BACKUP CAPABILITIES

RedCap®
Emergency Lighting Made Simple



The Energy Focus RedCap® Emergency Battery Backup is an all-in-one general purpose lighting and battery powered emergency backup TLED solution. The tube acts as a normal lamp, providing 110 lm/W efficacy and supporting on/off switch operation.

FEATURES

- Energy Focus patented design - standard input end powers the lamp in normal mode, and the emergency input end charges the batteries and senses the presence of AC power
- Integrated batteries and emergency driver provide 960lm of light for a minimum of 90 minutes
- Batteries charge even when lamps are off
- Emergency and standard fluorescent ballasts can be removed
- Integrated test button

WARRANTY

5-year standard warranty

(further details available at www.energyfocus.com)

IDEAL APPLICATIONS

- Offices
- Retail Stores
- Schools
- Hospitals
- Healthcare Facilities
- Industrial/Manufacturing Sites
- Anywhere a fluorescent or LED emergency fixture is used

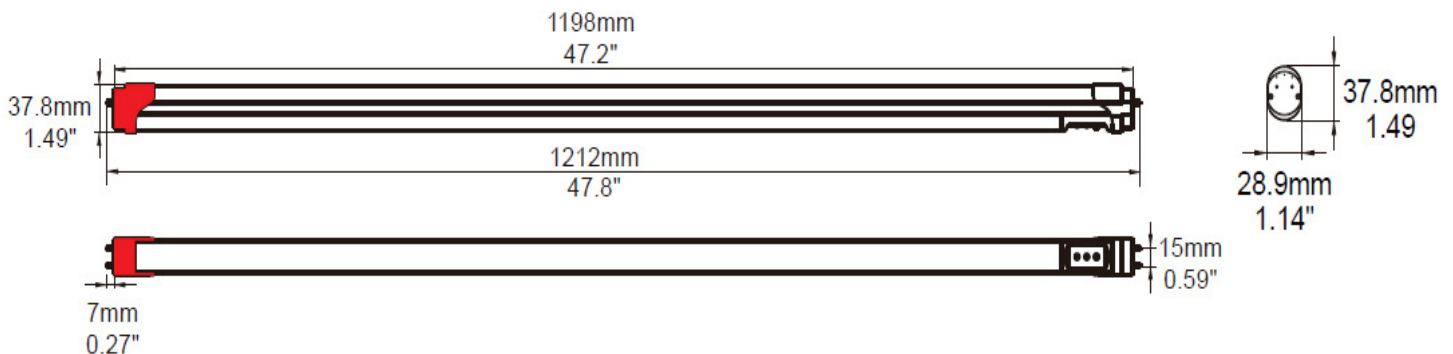


SPECIFICATIONS

ITEM	SPECIFICATION	SPECIFICATION DETAILS
GENERAL PERFORMANCE	CRI	>80
	Beam Angle	120°
	Rated Life	≥ 50,000 hours
	Battery Charge Power	16W (charging)
ELECTRICAL	Power Factor	>0.9
	Input Voltage	120-277vac, 50/60hz
	Dimming	Dimmable
PHYSICAL	Base Type	G13
	Body	Oval extruded aluminum
	Lens	Polycarbonate
	Driver	Single end power; integrated LED driver
	Operating Temperature	0°C to 40°C
	Storage Temperature	-20°C to 30°C
	Relative Humidity	45% to 85%
QUALIFICATION	Warranty	5-year standard warranty
	IES File	IES file download

DIMENSIONS

1.49" X 1.14" X 47.8"(37.8MM X 28.9MM X 1212MM)

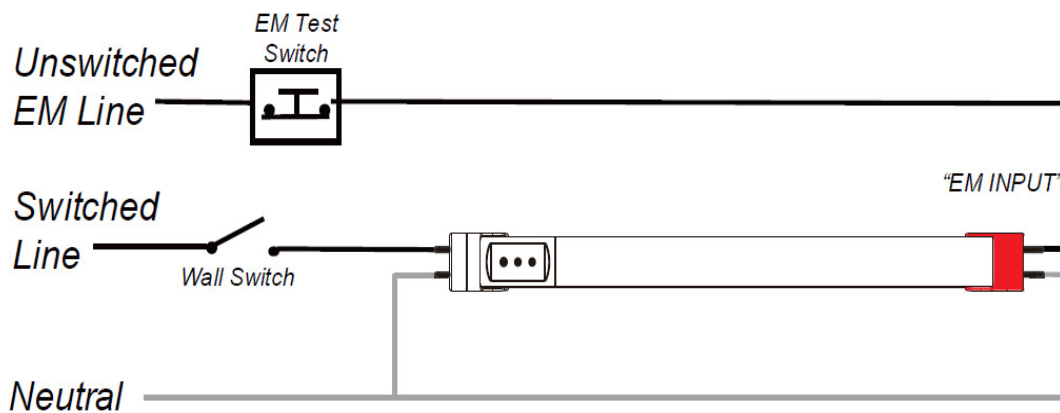


ORDERING

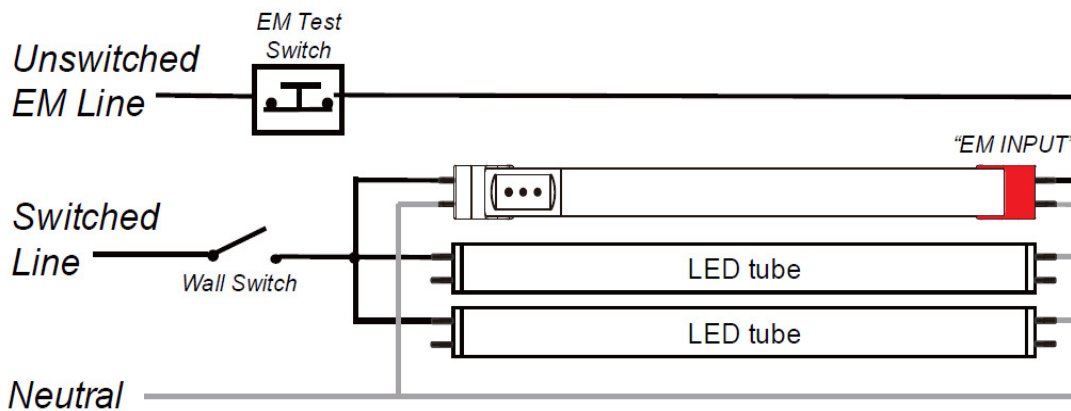
PART #	LENGTH	WATTAGE	NORMAL LUMENS	EMERGENCY LUMENS	CCT	LENS
LEDFLT8-8xx-414-BBUF	(48") 4'	14W	1595lm	960lm	3500K	Frosted
LEDFLT8-8xx-414-BBUF	(48") 4'	14W	1595lm	960lm	4000K	Frosted
LEDFLT8-8xx-414-BBUF	(48") 4'	14W	1595lm	960lm	5000K	Frosted

To view our DLC Qualified products, please consult the DLC Qualified products list at www.designlights.org/qpl

SINGLE LAMP WIRING DIAGRAM



MULTIPLE LAMP WIRING DIAGRAM



To view full installation instructions, visit the product page on our website www.energyfocus.com