

Intelligent Energy Storage Controller

EFOI-200K-A0

FEATURES AND BENEFITS

- Maximum efficiency 99%
- Modular design
- IP66 protection level
- Built-in AC and DC lightning protection
- Support Ethernet communication
- Intelligent grid connection algorithm

PROTECT

Technical Parameters

Anti-islanding protection	Support
AC overcurrent protection	Support
DC reverse polarity protection	Support
Insulation resistance detection	Support
Ground fault protection	Support
Residual current detection	Support
DC surge protection ²	Type II
AC Surge Protection ²	Type II



PRODUCT SPECIFICATIONS

Dimensions (W X H X D) 875x820x365mm

Weight < 95kg

Operating Temperature -25°C ~ 60°C

Cooling Method Intelligent air cooling

Maximum Working Altitude 4,000m

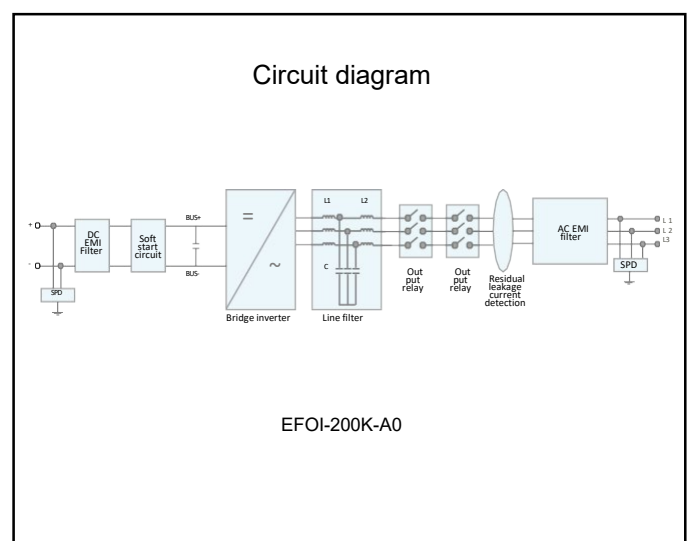
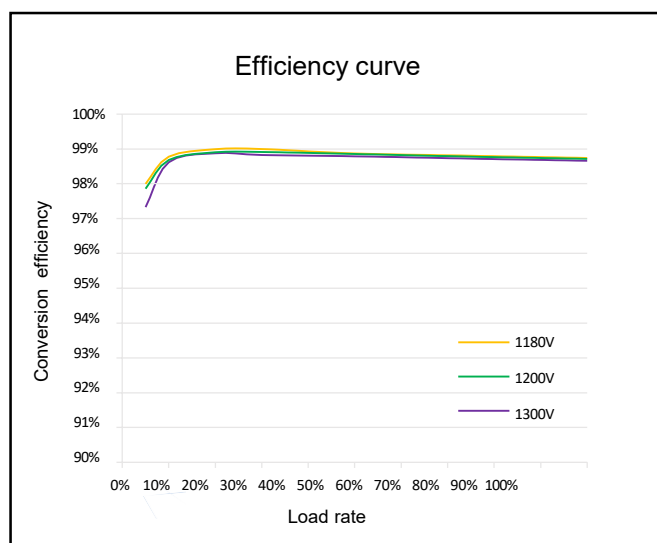
Relative Humidity 0~100%

DC Terminal Colors OT/DT terminal

AC Terminal OT/DT terminal

Protection Level IP66

Topology No transformer



EFFICIENCY

Technical Parameters

Maximum Efficiency	99.0%
European Efficiency	98.8%

DC SIDE

Technical Parameters

Rated DC Voltage	1,180 V
Maximum DC Voltage	1,500V
Working Voltage Range	1,180 V ~ 1,500 V
Maximum DC Current	207.6A
Maximum Number Of Access Channels	1

COMMUNICATION SIDE

Technical Parameters

Rated AC Power	200,000 W @40°C
Maximum Apparent Power ¹	240,000VA
Maximum Active Power ¹ (Cosφ =1)	240,000W
Rated AC Voltage	800 V
AC Voltage Frequency	50Hz/60Hz
Maximum AC Current	173.2A
Power Factor	-1 ... +1
Maximum Total Harmonic Distortion	< 3%

COMMUNICATION

Technical Parameters

Show	LED indicator, WLAN + APP
USB	Support
Ethernet	Support

* 1 Meet the requirements of GB/T 34120 .

* 2 Compliant protection class II according to IEC/EN 61643-11.