

Intelligent Energy Storage Controller

EFOI-5K-A

PROTECTION & FEATURES

Technical Parameters

Anti-islanding protection	Support
Input reverse polarity protection	Support
Insulation resistance detection	Support
DC surge protection	Support, comply with EN/IEC 61643-11 standard TYPE II protection level
AC surge protection	Support, comply with EN/IEC 61643-11 standard TYPE II protection level
Residual current detection	Support
Output overcurrent protection	Support
Output short circuit protection	Support
Output overvoltage protection	Support
Overheating protection	Support
Arc fault protection	Support
Mains power reversely charges the battery	Support



PRODUCT SPECIFICATIONS

Dimensions (W X H X D) 365mm * 365mm * 156 mm (14.4 x 14.4 x 6.1 inch)

Weight 12. kg (26.5lb)

Operating Temperature -25 ~ +60 °C

Cooling Method Natural convection

Maximum Working Altitude 0 ~ 4,000 m

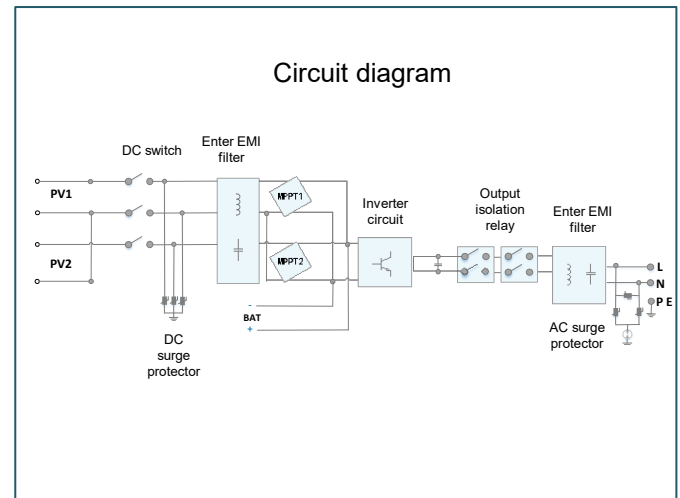
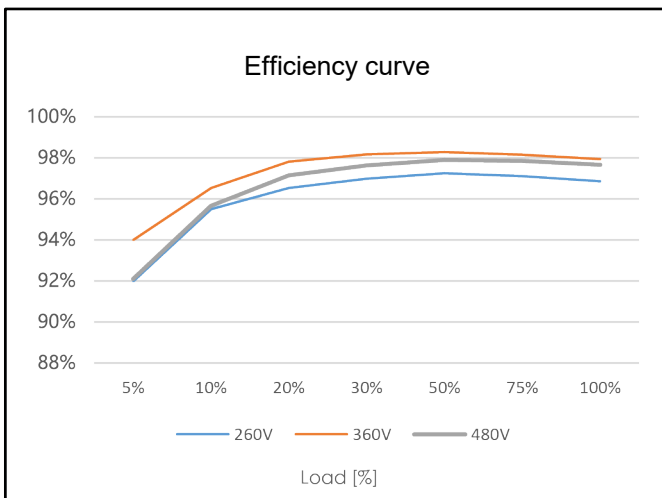
Relative Humidity 0~100%

Display LED indicator

Communication RS485

Protection Level IP65

Topology No transformer



EFFICIENCY

Technical Parameters	
Maximum Efficiency	98.4%
European Efficiency	97.8%

INPUT(PV)

Technical Parameters	
Recommended maximum DC power ²	7,500 Wp
Maximum DC Input Voltage	600 V ₃
Starting Voltage	100V
MPPT Voltage Range	90 V – 560 V ₃
Rated Input Voltage	360V
Maximum Input Current Of Each MPPT	12.5A
Maximum Short Circuit Current	18A
MPPT Quantity	2
Maximum Number Of Input Channels	2

INPUT (DC BATTERY)

Technical Parameters	
Matching battery	LG Chem RESU 7H_R / 10H_R
Operating voltage range	350 ~ 450Vdc
Maximum operating current	10 A @7H_R / 15 A @10H_R
Maximum charging power	3,500 W @7H_R / 5,000 W @10H_R
Maximum discharge power@7H_R	2,200 W 3,300 W 3,500 W 3,500 W 3,500 W
Maximum discharge power@10H_R	2,200 W 3,300 W 4,400 W 4,600 W 5,000 W

OUTPUT

Technical Parameters	
Grid Connection	Simplex
Rated Output Power	2,000 W
Maximum Output Apparent Power	5,500 W
Rated Output Voltage	220 VAC/ 230 VAC/ 240 VAC
Rated AC Grid Frequency	50 Hz / 60 Hz
Maximum Output Current	25A
Power Factor	0.8 __ Ahead of time . . . 0.8 __ lag
Maximum Total Harmonic Distortion	≤ 3 %
Off-grid Output	Support (pass B a c k u p B o x - B 0 1)